

Mistral[®] 140NG

Automatic sorting system

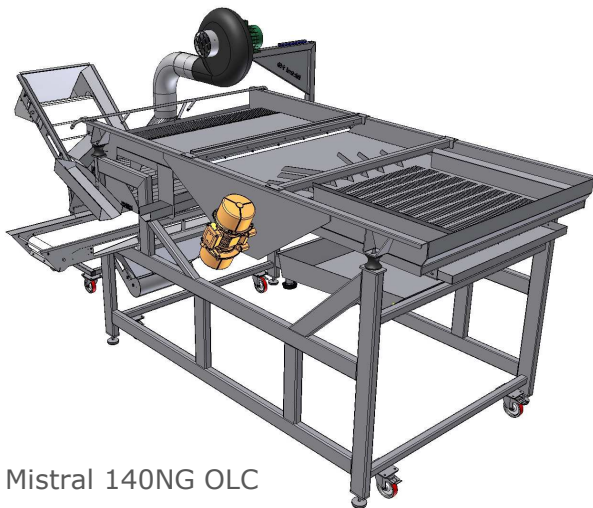
Models

Mistral[®] 60

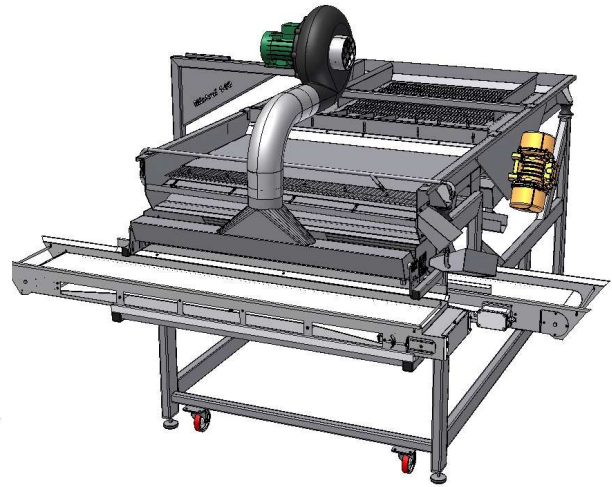
Mistral[®] 100

Mistral[®] 140

Sirocco[®]



Mistral 140NG OLC



Mistral 140NG 2H

A Vaucher Beguet's patent

MONOBLOC SYSTEM
Dripping – Levelling - Automatic berry sorting system
For hand or mechanical harvested grapes
Capacity 6 to 9 T/H
Automatic bulky waste removal
Selective recovery of waste

