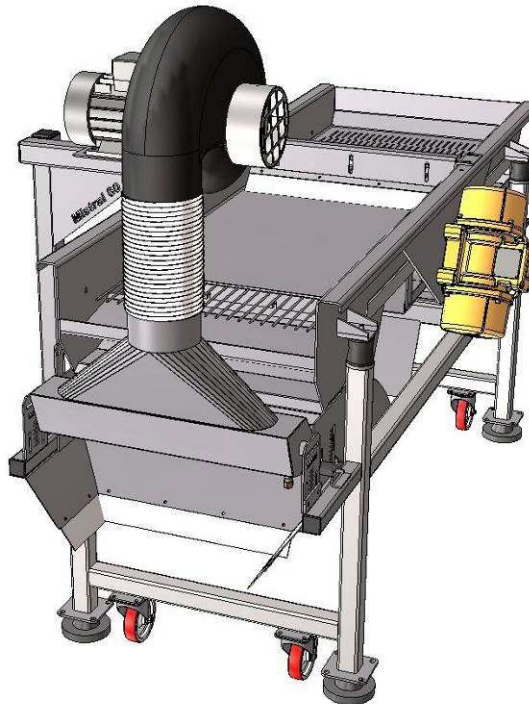


Models

Mistral [®] 60
Mistral [®] 100
Mistral [®] 140
Sirocco [®]






A Vaucher Beguet's patent

MONOBLOC SYSTEM

Dripping – Levelling - Automatic berry sorting system

For hand or mechanical harvested grapes

Capacity 2 to 3 T/H

- 
Simple
 - Fits directly under the destemmer
 - Easy to adjust – Results are immediately apparent
 - Usable with all varieties of production layouts
- 
Efficient
 - **The Mistral[®] can remove virtually all unwanted waste including (but not limited to)**
 - parts of stems, insects, seeds, **shot berries, verjuice, raisins, rotten berries (including botrytis infected)**
 - The level of material rejected is completely under the control the Wine-Maker
- 
User-Friendly
 - Turn key system
 - No risk of mechanical jamming
 - Easy cleaning